

SACO

DATA EXTENDER

SACO DATA EXTENDER | CONTROLS

SACO's Data Extender provides a compact and flexible solution for distributing SACO's video control data to multi-branch, long range systems. With the option of either fiber optic or RJ45 data input, it provides three data outputs, including a fiber optic output option. RJ45 outputs can be directly connected to SACO V-BRAIN controllers or to another Data Extender to create additional downstream branches.

Based on our proprietary V-Stream communication protocol, the SACO Data Extender is fully integrated to SACO's line of video displays and video-enabled light fixtures.

- GO THE DISTANCE** Data extender when hooked to SFP optic fiber transceiver
Data splitter when hooked to SFP cat6 copper adapter
- PLUG AND PLAY** Small but mighty offering long range solution



SACO

SACO

DATA EXTENDER

FEATURES GUIDE



PHYSICAL

CONSTRUCTION	Injection molded polymer housing (0.070 "/>1.8 mm thickness)
MOUNTING	Mounts to a surface with #6 screws with appropriate anchors (not supplied)
FINISH	Black
WEIGHT	0.3lbs (0.1kg)

THERMAL

OPERATING TEMP	32 °F to 113 °F (0 °C to 45 °C)
HEAT CONTROL	Convection passive air cooling

ELECTRICAL

INPUT VOLTAGE	5 VDC (power from LPS power supply)
INPUT CURRENT	2 A Maximum
POWER	10 W Maximum
POWER ADAPTER	Standard 15 W universal LPS AC power supply adapter Supplied adapter: CUI SM118-5-V-PSR or equivalent (Saco #: LPS0000-00096)

CONNECTORS

POWER INPUT	Standard 5.5mm barrel receptacle (center positive)
DATA INPUT	1 x Small Form Pluggable socket (SFP) Supports 1 x Cat6 copper SFP adapter or 1 x LC duplex fiber optic SFP transceiver adapter
DATA OUTPUT	2 x standard RJ45 receptacles (outputs A and B) 1 x Small Form Pluggable socket (SFP) (output C) Output C supports 1 x LC duplex fiber optic SFP transceiver adapter

USER INTERFACE

HARDWARE	LED status indicator
----------	----------------------

ONE BOX, TWO SCENARIOS

OUTPUT A≠B	When a fiber input is used (fiber receiver configuration), 2 different V-Streams are presented on outputs A and B
OUTPUT A = B	When a copper input is used (data splitter configuration), the same V-Stream is presented on both outputs A and B

ACCESSORIES

SFP ADAPTERS	Compatible with LC duplex optic fibre SFP transceivers Compatible with CAT6 copper SFP adapters or better instead
--------------	--

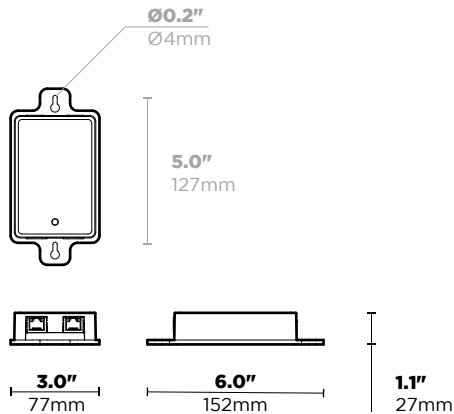
ADDITIONAL INFORMATION

WARRANTY	5 years
ORIGIN	Designed and made in North America

SACO

DATA EXTENDER

SPECIFICATIONS GUIDE



(MOUNTING DIMENSIONS IN GREY)

PRODUCT ORDERING CODE

- MODEL #**
- # DATA INPUT ADAPTER**
 - 01** Please specify number of input to be fitted with SFP adapters (Max 1) ¹
 - ¹ Default option.
- DATA INPUT ADAPTER TYPE**
 - C** Cat6 copper SFP adapter ²
 - FS** Single mode LC duplex fiber optic SFP transceiver ³
 - FM** Multi mode LC duplex fiber optic SFP transceiver ⁴
 - ² Maximum range up to 410ft (125m) for SACO video signal speeds.
 - ³ Maximum range over 1970ft (600m) depends of fiber type.
 - ⁴ Maximum range under 1970ft (600m) depends of fiber type.
- # DATA OUTPUT ADAPTER (OUTPUT C)**
 - 01** Please specify number of outputs to be fitted with SFP adapters (Max 1)
 - NO** None
- DATA OUTPUT ADAPTER TYPE (OUTPUT C)**
 - FS** Single mode LC duplex fiber optic SFP transceiver ⁵
 - FM** Multi mode LC duplex fiber optic SFP transceiver ⁶
 - ⁵ Maximum range over 1970ft (600m) depends of fiber type.
 - ⁶ Maximum range under 1970ft (600m) depends of fiber type.

3 POSSIBLE CONFIGURATIONS:

FIBER RECEIVER ORDERING CODE

SDE-01-Fx⁷-NO

EXTENDED FIBER RECEIVER ORDERING CODE

SDE-01-Fx⁷-01-FX

DATA SPLITTER ORDERING CODE

SDE-01-C-NO

⁷ Please refer to adapter types above for proper fiber mode. Consult SACO for optimal system configuration on your project.



SACO

DATA EXTENDER

WIRING GUIDE



- 1 OUTPUT B - Network ready RJ45 receptable (10 / 100 Mbps)
- 2 OUTPUT A - Network ready RJ45 receptable (10 / 100 Mbps)



- 3 INPUT - Small Form Pluggable socket (SFP)
- 4 Power 5.5mm barrel jack (center positive)
- 5 OUTPUT C - Small Form Pluggable socket (SFP)